

Levelling feet

Foot, threaded stud steel

SPECIFICATION

Types

- Type **OS**: without plastic cap
- Type **KS**: with plastic cap, gliding
- Type **KR**: with plastic cap, non-gliding
- Type **KSE**: with plastic cap, gliding, electrically conductive (antistatic)
- Type **KRE**: with plastic cap, non-gliding, electrically conductive (antistatic)

Steel

Tensile strength class 5.8
zinc plated, blue passivated

Type **KS / KSE**

Plastic cap Polyacetal (POM)

KS: white (natural colour) RAL 9001

KSE: black, electrically conductive

Surface resistivity: $< 10^6 \Omega$

Volume resistivity: $< 10^7 \Omega$

DIN EN 61340-5-1 / 61340-2-3

Type **KR / KRE**

Plastic cap Elastomer (TPE), 78 Shore A \approx

KR: black

KRE: black, electrically conductive

Surface resistivity: $< 10^6 \Omega$

Volume resistivity: $< 10^7 \Omega$

DIN EN 61340-5-1 / 61340-2-3

Hexagon nut ISO 4032

Steel, zinc plated, blue passivated

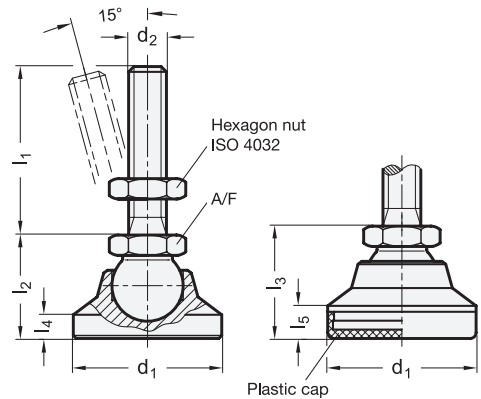


INFORMATION

The static load of the levelling feet GN 343.2 is limited by the load capacity of the ball joint threaded stud (tensile strength class 5.8). The static load values (only valid for Type OS / KS) in the table refer to a net vertical load in relation to the levelling foot. Under normal operating conditions side loading or angular loading is not uncommon and the load capacity would be considerably reduced which must be taken into consideration. Levelling feet GN 343.2 cannot be disassembled.

TECHNICAL INFORMATION

- Elastomer characteristics (see page A32)
- Plastic characteristics (see page A2)
- Strength values of screws (see page A20)



* Complete with type index of the Levelling feet

OS KS KR KSE KRE


GN 343.2

Description	d1	d2	l1	l2	l3	l4	l5	A/F	Static load in kN	
GN 343.2-25-M6-40-*	25	M 6	40	19	20.5	4	5.5	12	7.5	43
GN 343.2-25-M6-50-*	25	M 6	50	19	20.5	4	5.5	12	7.5	45
GN 343.2-25-M6-63-*	25	M 6	63	19	20.5	4	5.5	12	7.5	48
GN 343.2-25-M8-40-*	25	M 8	40	19	20.5	4	5.5	12	14	51
GN 343.2-25-M8-50-*	25	M 8	50	19	20.5	4	5.5	12	14	5
GN 343.2-25-M8-63-*	25	M 8	63	19	20.5	4	5.5	12	14	60
GN 343.2-25-M10-50-*	25	M 10	50	19	20.5	4	5.5	12	23	68
GN 343.2-25-M10-63-*	25	M 10	63	19	20.5	4	5.5	12	23	74
GN 343.2-25-M10-80-*	25	M 10	80	19	20.5	4	5.5	12	23	83

* Complete with type index of the Levelling feet

OS KS KR KSE KRE

GN 343.2

Description	d1	d2	l1	l2	l3	l4	l5	A/F	Static load in kN	
GN 343.2-32-M8-40-*	32	M 8	40	23	24.5	5	6.5	12	14	80
GN 343.2-32-M8-50-*	32	M 8	50	23	24.5	5	6.5	12	14	60
GN 343.2-32-M8-63-*	32	M 8	63	23	24.5	5	6.5	12	14	38
GN 343.2-32-M10-50-*	32	M 10	50	23	24.5	5	6.5	15	23	102
GN 343.2-32-M10-63-*	32	M 10	63	23	24.5	5	6.5	15	23	100
GN 343.2-32-M10-80-*	32	M 10	80	23	24.5	5	6.5	15	23	117
GN 343.2-32-M12-63-*	32	M 12	63	23	24.5	5	6.5	15	33	127
GN 343.2-32-M12-80-*	32	M 12	80	23	24.5	5	6.5	15	33	140
GN 343.2-32-M12-100-*	32	M 12	100	23	24.5	5	6.5	15	33	154
GN 343.2-40-M8-50-*	40	M 8	50	26	27.5	6	7.5	15	14	130
GN 343.2-40-M8-63-*	40	M 8	63	26	27.5	6	7.5	15	14	134
GN 343.2-40-M8-80-*	40	M 8	80	26	27.5	6	7.5	15	14	139
GN 343.2-40-M10-50-*	40	M 10	50	26	27.5	6	7.5	15	23	143
GN 343.2-40-M10-63-*	40	M 10	63	26	27.5	6	7.5	15	23	150
GN 343.2-40-M10-80-*	40	M 10	80	26	27.5	6	7.5	15	23	140
GN 343.2-40-M12-63-*	40	M 12	63	26	27.5	6	7.5	17	33	178
GN 343.2-40-M12-80-*	40	M 12	80	26	27.5	6	7.5	17	33	182
GN 343.2-40-M12-100-*	40	M 12	100	26	27.5	6	7.5	17	33	198
GN 343.2-50-M8-50-*	50	M 8	50	28	29.5	7	8.5	15	14	196
GN 343.2-50-M8-63-*	50	M 8	63	28	29.5	7	8.5	15	14	199
GN 343.2-50-M8-80-*	50	M 8	80	28	29.5	7	8.5	15	14	204
GN 343.2-50-M10-50-*	50	M 10	50	28	29.5	7	8.5	15	23	200
GN 343.2-50-M10-63-*	50	M 10	63	28	29.5	7	8.5	15	23	214
GN 343.2-50-M10-80-*	50	M 10	80	28	29.5	7	8.5	15	23	220
GN 343.2-50-M12-63-*	50	M 12	63	28	29.5	7	8.5	17	33	213
GN 343.2-50-M12-80-*	50	M 12	80	28	29.5	7	8.5	17	33	240
GN 343.2-50-M12-100-*	50	M 12	100	28	29.5	7	8.5	17	33	261
GN 343.2-50-M16-63-*	50	M 16	63	28	29.5	7	8.5	17	40	284
GN 343.2-50-M16-80-*	50	M 16	80	28	29.5	7	8.5	17	40	308
GN 343.2-50-M16-100-*	50	M 16	100	28	29.5	7	8.5	17	40	334
GN 343.2-60-M10-50-*	60	M 10	50	36	37.5	8.5	10	17	23	365
GN 343.2-60-M10-63-*	60	M 10	63	36	37.5	8.5	10	17	23	372
GN 343.2-60-M10-80-*	60	M 10	80	36	37.5	8.5	10	17	23	380
GN 343.2-60-M12-63-*	60	M 12	63	36	37.5	8.5	10	17	33	380
GN 343.2-60-M12-80-*	60	M 12	80	36	37.5	8.5	10	17	33	400
GN 343.2-60-M12-100-*	60	M 12	100	36	37.5	8.5	10	17	33	420
GN 343.2-60-M16-80-*	60	M 16	80	36	37.5	8.5	10	24	62	469
GN 343.2-60-M16-100-*	60	M 16	100	36	37.5	8.5	10	24	62	500
GN 343.2-60-M16-125-*	60	M 16	125	36	37.5	8.5	10	24	62	540
GN 343.2-60-M20-98-*	60	M 20	98	36	37.5	8.5	10	24	95	580
GN 343.2-60-M20-138-*	60	M 20	138	36	37.5	8.5	10	24	95	680
GN 343.2-60-M20-158-*	60	M 20	158	36	37.5	8.5	10	24	95	720
GN 343.2-60-M24-98-*	60	M 24	98	36	37.5	8.5	10	24	95	727
GN 343.2-60-M24-138-*	60	M 24	138	36	37.5	8.5	10	24	95	837
GN 343.2-60-M24-158-*	60	M 24	158	36	37.5	8.5	10	24	95	923

Weight type KR

